



PUTTING GREEN LIGHTS PGL-05-SERIES



TYPE

SPECIFICATIONS

CONSTRUCTION: PGL-05: Die cast brass cup light with stamped brass bracket
LENS: Clear convex glass lens with optional color Red, Green, Blue, and Yellow (Clear Standard)
LAMP SUPPLIED: 20w MR16 (ESX) ULTRA 10,000 hrs average rating
LAMP OPTIONS: 20w MR16 (ESX) TITAN 18,000 hrs average rating or 4w ARROW LED 50,000 hrs average rating.
WIRING: 25 feet 16/2c lead wire
NOTE: All models include PVC Sleeve



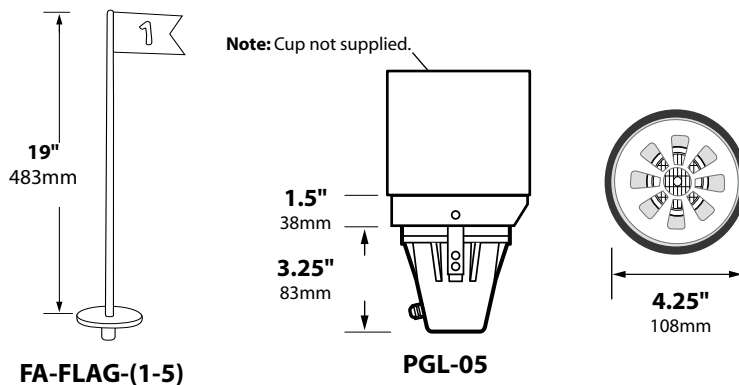
PGL-05-RED

ORDERING INFORMATION

CATALOG NO.	DESCRIPTION	MATERIAL	EST. SHIP. WEIGHT
PGL-05	Die Cast Cup Light with Stamped Brass Bracket	Brass	4 lb
PGL-05-BLUE	Die Cast Cup Light with Stamped Brass Bracket & Blue Light Bulb	Brass	4 lb
PGL-05-RED	Die Cast Cup Light with Stamped Brass Bracket & Red Light Bulb	Brass	4 lb
PGL-05-GREEN	Die Cast Cup Light with Stamped Brass Bracket & Green Light Bulb	Brass	4 lb
PGL-05-YELLOW	Die Cast Cup Light with Stamped Brass Bracket & Yellow Light Bulb	Brass	4 lb

ACCESSORIES

CATALOG NO.	DESCRIPTION
FA-FLAG-(1-5)	Clear Acrylic Flag with Specified Number



JOB INFORMATION	
Type:	Date:
Job Name:	
Cat.No.:	
Lamp(s):	
Specifier:	
Contractor:	
Notes:	
FOCUS INDUSTRIES INC. 25301 COMMERCENTRE DRIVE LAKE FOREST, CA 92630	
www.focusindustries.com sales@focusindustries.com (949) 830-1350 • FAX (949) 830-3390	

FSA-00

Powder Coat Finishes	Black Texture (Standard)	Antique Verde	Bronze Texture	Camel	White Texture	Hunter Texture	Rust	Weathered Iron	Weathered Brown	Stucco	Rubbed Verde	Chrome Powder	Terra Cotta
Ordering Code	-BLT	-ATV	-BRT	-CAM	-WTX	-HTX	-RST	-WIR	-WBR	-STU	-RBV	-CPR	-TRC